

# CABINET HOUSING MODIFICATION FOR MOUNTING BRACKET

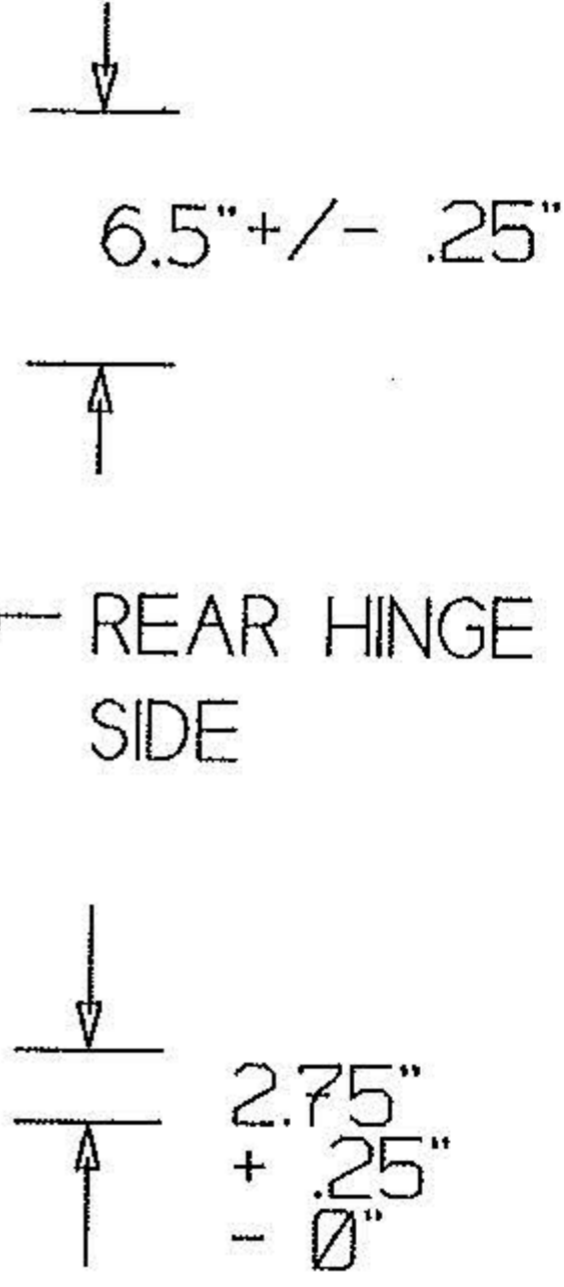
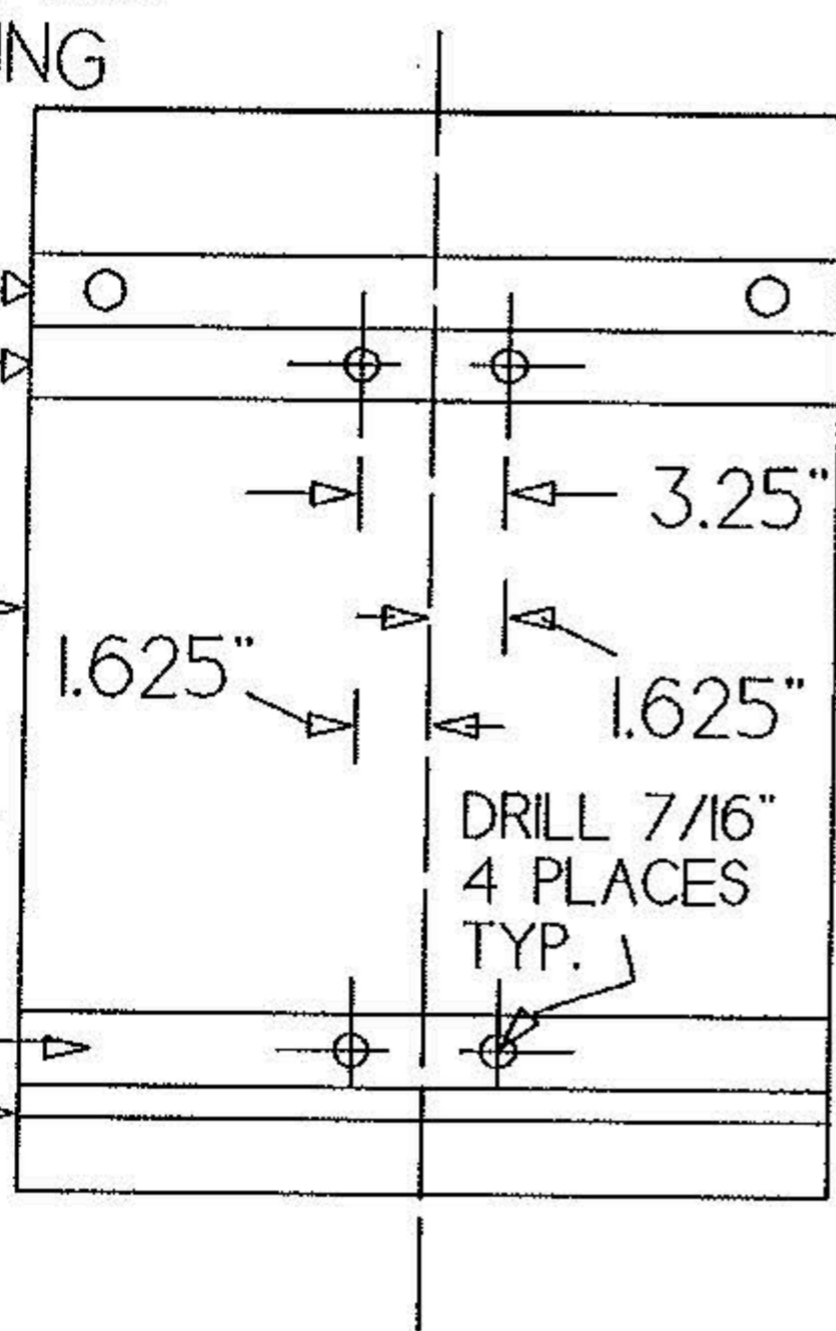
336 CABINET  
REV. 3-16-06

TOP CAGE SUPPORT  
AND STRENGTHING  
MEMBER  
1 OR 2  
PARTS

FRONT HINGE  
SIDE

STRENGTHING  
MEMBER

BOTTOM CAGE  
SUPPORT



REAR HINGE  
SIDE

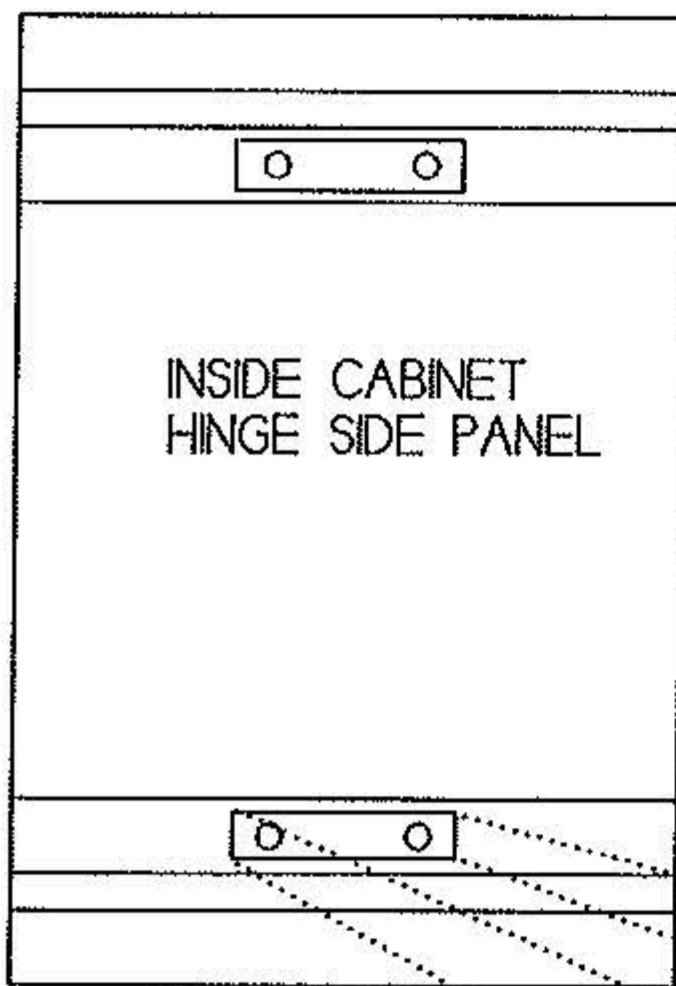
INSIDE CABINET VIEW  
HINGE SIDE PANEL

## NUT BLOCK DETAIL

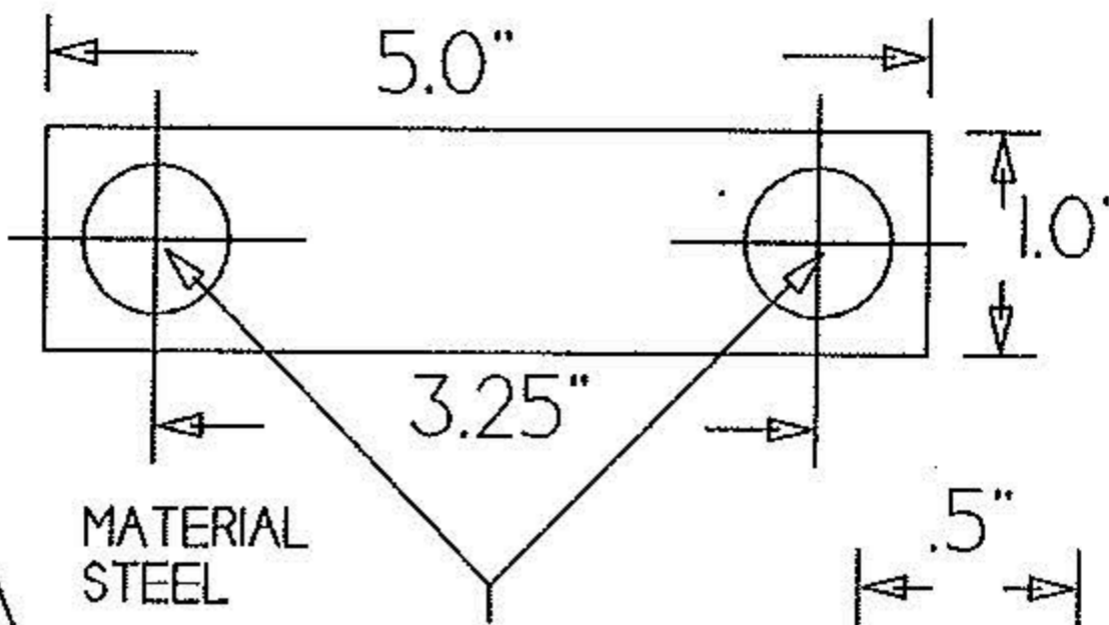
REV. 3-15-06

FRONT VIEW

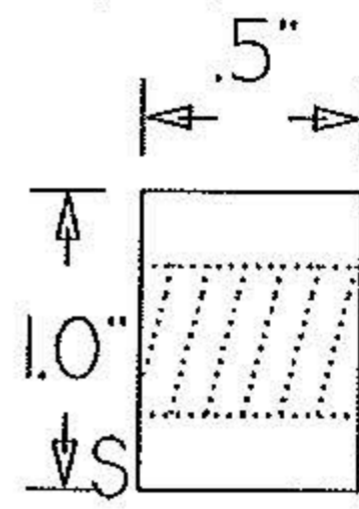
336 CAB.



4- 3/8"  
BOLTS REQUIRED  
2 NUT BLOCKS REQUIRED



DRILL AND TAP FOR  
3/8" - 16 X 1 1/4"  
BOLT, STAINLESS  
STEEL GRADE 2 OR  
BETTER



SIDE VIEW

ASSEMBLY VIEW

